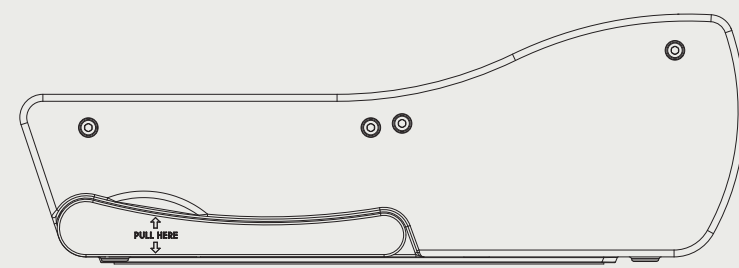


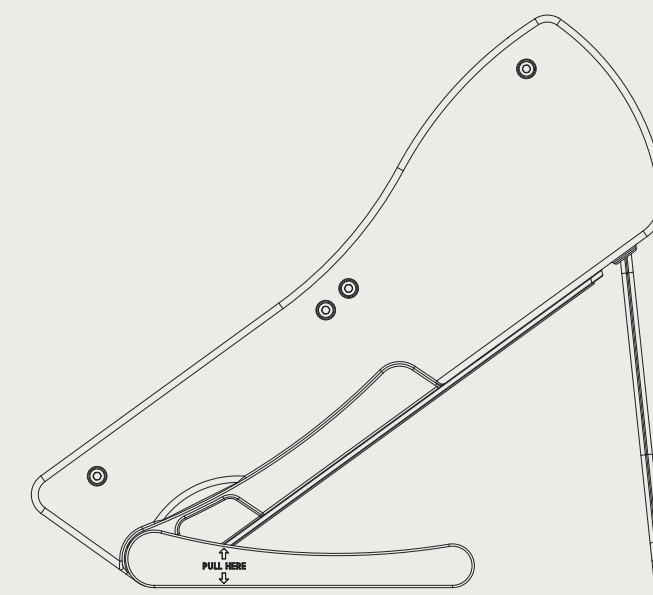
The Mantis case can open to 3 positions using the 3 support legs. Please, take a moment to go through the drawings below to understand how to operate the support legs. Failing to operate the legs correctly will damage their internal mechanism, and since the mechanism is part of the case body it **can not be fixed!** Please, use only as instructed.

Mantis can be set to 3 positions

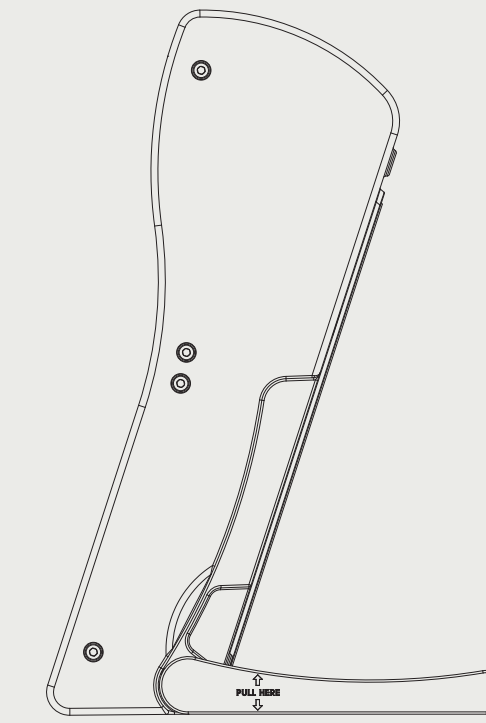
Position A



Position B

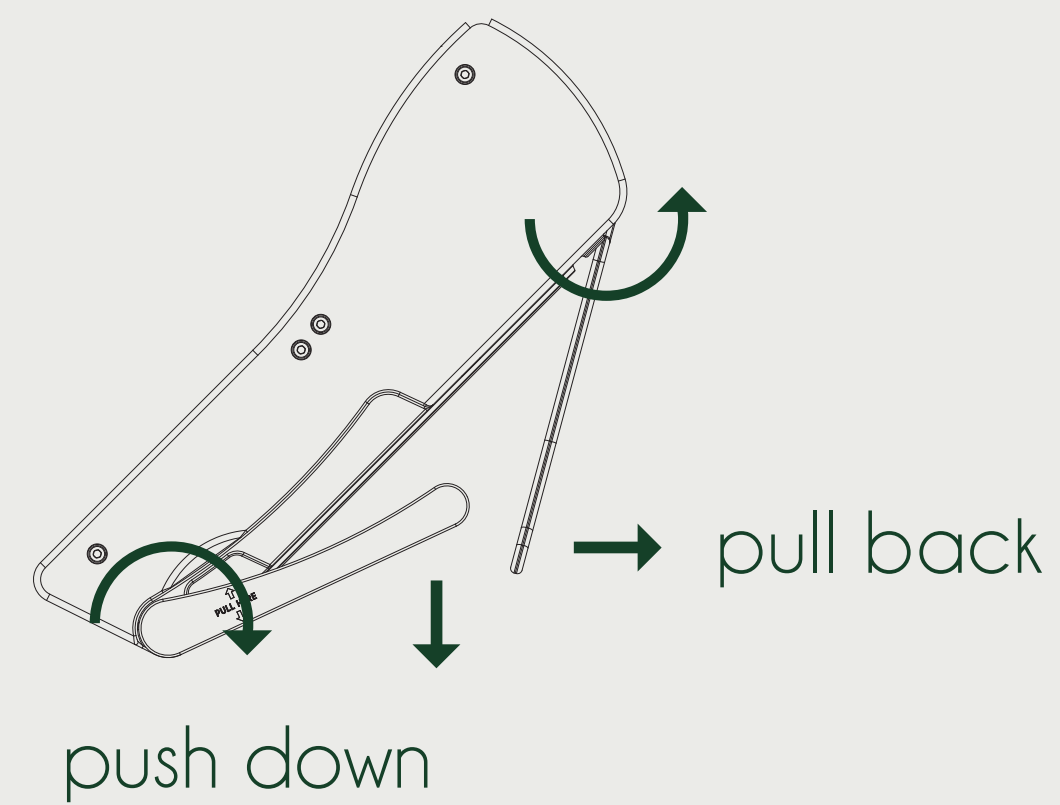


Position C

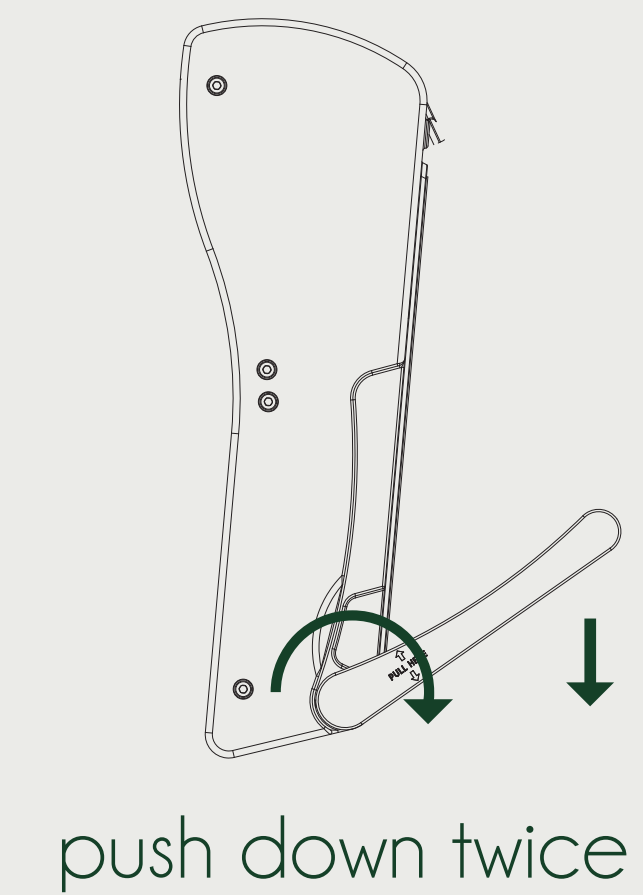


This is how to switch from position A to position B or C

From A to B

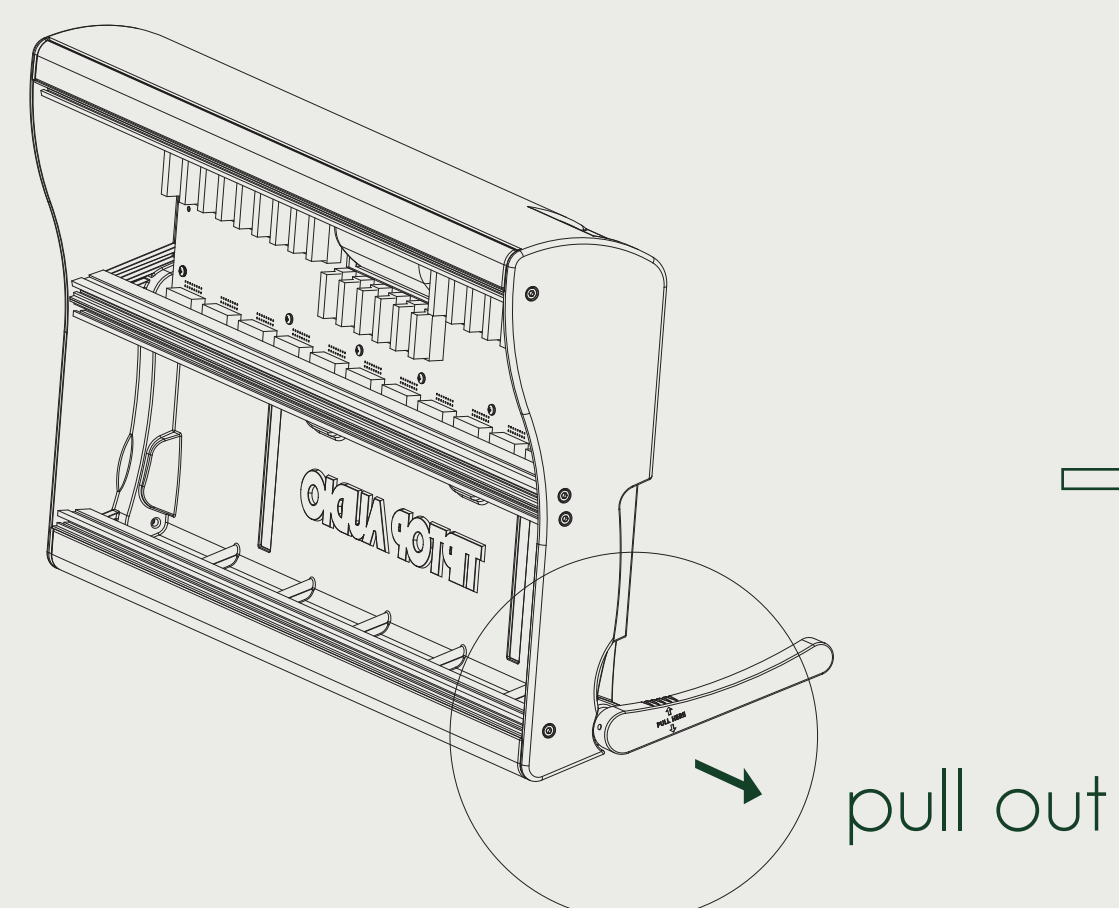


From A to C



This is how to switch from position B or C to position A

From C to A



turn back

Position A

